



Professional Photographic Equipment

INSTRUCTIONS

ET Series Tripod

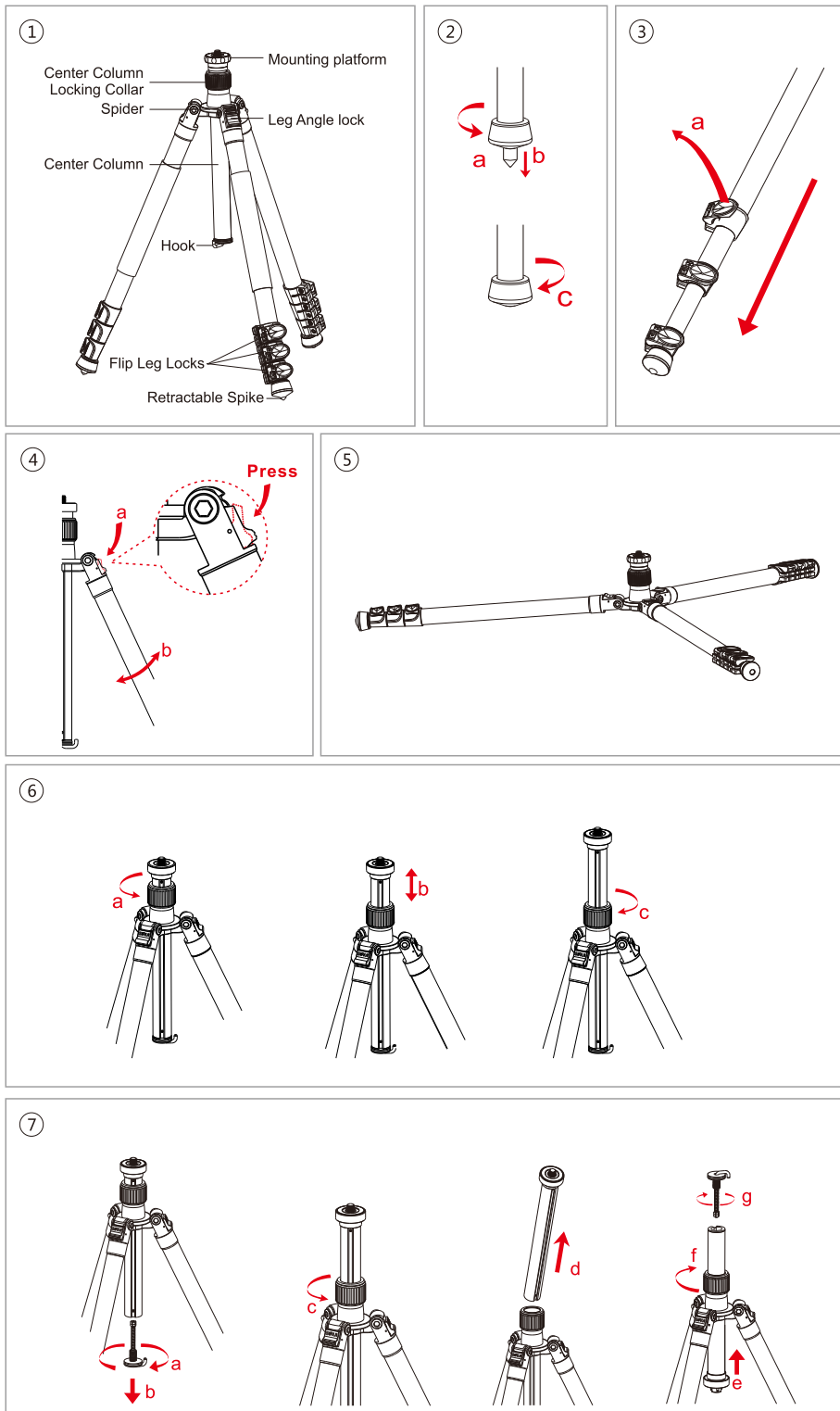


SIRUI Photographic Equipment Industry(Zhongshan) CO.,Ltd

Address: The Third Industrial District, Wuguishan Town, Zhongshan City, Guangdong, China
 E-mail: info@sirui-photo.com http://www.sirui-photo.com http://www.zs.sirui.com
 Tel: 0086-760-88897373 Fax: 0086-760-88207062 P.C: 528458
 Service Hotline: (0086)400 830 2299

ET Series Tripod Data Chart

Section	Max Dia	Min Dia	Min Hgt	Max Hgt	Max H-ext	Max H-ext	Retracted H	Folded H	Monopod Max H	Monopod Min H	Weight	Load
	mm/inch	mm/inch	mm/inch	mm/inch	mm/inch	mm/inch	mm/inch	mm/inch	mm/inch	mm/inch	kg/lb	kg/lb
ET-1004	4	25/1.0	16/0.6	130/5.1	1160/45.7	1400/55.1	480/18.9	420/16.5	—	—	1.3/2.9	8/17.6
ET-1204	4	25/1.0	16/0.6	130/5.1	1160/45.7	1400/55.1	480/18.9	420/16.5	—	—	1.1/2.4	8/17.6
ET-2004	4	28/1.1	19/0.7	135/5.3	1215/47.8	1450/57.1	500/19.7	430/16.9	—	—	1.6/3.5	12/26.5
ET-2204	4	28/1.1	19/0.7	135/5.3	1215/47.8	1450/57.1	500/19.7	430/16.9	—	—	1.3/2.9	12/26.5



1. Know your tripod

2. Retractable Spikes

ET Tripod Series 1 (the maximum diameter of the leg tube is 25mm) only has rubber feet. All other series have retractable spikes. As shown in Figure 2, turn the rubber foot in a counter-clockwise direction ("a") until the spike is fully extended ("b"); to retract the spike, turn in a clockwise direction ("c") until the spike is hidden.

3. Leg Extension and Closing

To adjust the tripod height, unlock the legs by pulling the flip locks in direction "a" at the same time or separately, then extend the tripod legs to the length you need. Open from the biggest to the smallest leg section. To lock the legs, push the flip locks back to the original position from the smallest to the biggest leg section.

4. Leg Angle Adjustment

To meet requirements to shoot on uneven terrain, each leg can be adjusted to three different positions. While holding the Center Column, place your thumb on the Leg Angle Lock and push the leg slightly towards the Center Column. While pressing the lower part of the Leg Angle Lock ("a"), you can adjust the leg to the second or third position. There is no need to press the Leg Angle Lock when moving from the wider to narrower angle.

5. Macro shooting

Remove the Hook from the bottom of the Center Column, loosen the Center Locking Collar and lift out the long Center Column. Replace with the short Center Column and adjust the position of tripod legs to the widest angle by pushing in the Leg Angle Locks. This allows you to easily do low angle and macro-photography.

6. Center column height adjustment

Place the tripod on the floor, loosen the Locking Collar by turning in a counter-clockwise direction ("a") and adjust the Center Column to the desired height ("b"). Retighten the locking collar by turning in a clockwise direction ("c").

7. Inverting the tripod legs for storage

Remove the Hook from the bottom of the Center Column, loosen the Center Locking Collar ("c") and lift out the Center Column ("d"). Put the Center Column in from the bottom* ("e") adjust to the desired height and retighten the Locking Collar. If you wish, you can re-attach the Hook.

Caution: Do not keep camera attached while reversing the Center Column.

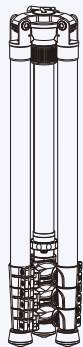
※ Make sure the channel in the Center Column matches the key in the tripod. Twist the Center Column if necessary.



Professional Photographic Equipment

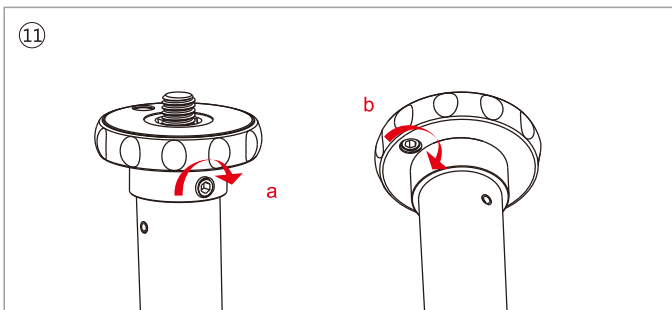
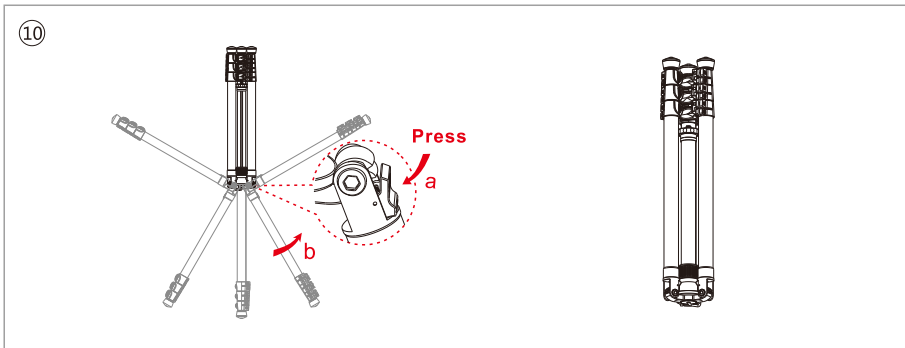
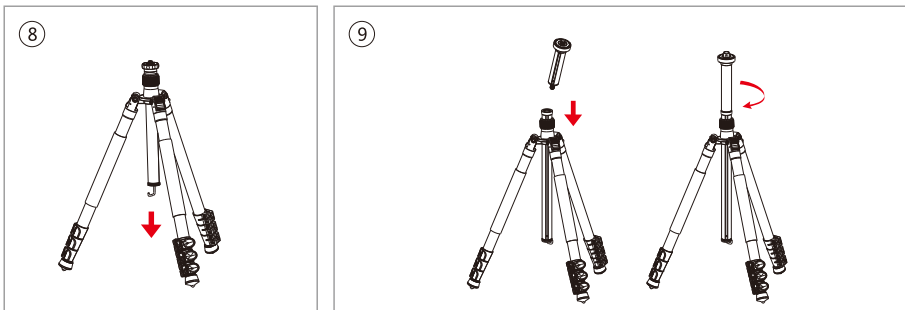
INSTRUCTIONS

ET Series Tripod



www.sirui-photo.com / www.zssirui.com

SIRUI Photographic Equipment Industry (Zhongshan) CO., Ltd
 Address: The Third Industrial District, Wugunshan Town, Zhongshan
 City, Guangdong, China
 Tel: 0086-760-88897373
 Fax: 0086-760-88207062
 P.C: 528458
 E-mail: info@sirui-photo.com
 http://www.sirui-photo.com http://www.zssirui.com
 Service Hotline: (0086)400 830 2299



Attention:

- Do not exceed the recommended load limit of the head and/or tripod. (Please refer to product specifications).
- Please make sure that the locks are securely tightened when in use.
- This product should not be used in environments that exceed the following conditions (-40 ~ +100°C/-40 ~ +212°F). And, when used in damp, dirty or dusty environments, please clean and dry thoroughly after use, to assure proper functioning in the future. It is not recommended to expose this product to saltwater. If exposed, please clean with mild soap and warm water and towel dry.
- Please keep from high temperatures and direct exposure to bright sunlight for extended periods of time.
- Please do not leave the equipment alone in a public place, which can be an inconvenience or hazard to others.
- To protect your camera gear, please remove it from the tripod/ball head when transporting from place to place.
- Please use a soft towel with mild soap to clean the locking system and gliding parts, when necessary.
- Under most situations, there is no need to lubricate any parts of this product. The addition of most lubricants will gum up the mechanisms and reduce their normal gliding characteristics. Please call or email us if you have any questions or special needs.
- Please keep this product away from all electrical power sources.

8. Hook

At the bottom of the Center Column is a Hook that allows you to hang additional weight (sand bag, camera bag, etc.) under the tripod for added stability.

9. Lengthening the Center Column

To increase the maximum height of the tripod, you can attach the short Center column onto the long Center Column. Remove the Mounting Platform and screw, by twisting the Mounting Platform in a counter-clockwise direction. Attach the short Center column by twisting it in a clockwise direction until it stops. Note: the channel in the short Center Column will not align with the long Center Column.

10. Inverting the tripod legs for storage

Close and lock all of the legs. Loosen the Center Column Lock, raise the Center Column to its highest position and retighten the Center Column Lock. Press and hold the Leg Angle Lock ("a") and fold the leg up 180 degrees ("b").

11. Final Locking

After properly adjusting the tripod, use the allen wrench to tighten the locking screw ("a" and "b") on the Center Column for maximum stability and on the mounting base (when a tripod head is attached) to prevent the head from coming loose unexpectedly.



CAUTION

Please remove the camera from the tripod when changing the position of the tripod. Do not place the tripod, with camera attached, over your shoulder or carry the tripod horizontally by the legs. Strong shaking may cause damage of the screw in the mounting plate and/or the camera. Please extend the legs from the biggest tube to smallest tube; close the legs from the smallest tube to biggest tube, to avoid leg joint bushing damage.

Specifications are subject to change without notice.

McGrp.Ru



Сайт техники и электроники

Наш сайт McGrp.Ru при этом не является просто хранилищем [инструкций по эксплуатации](#), это живое сообщество людей. Они общаются на форуме, задают вопросы о способах и особенностях использования техники. На все вопросы очень быстро находят ответы от таких же посетителей сайта, экспертов или администраторов. Вопрос можно задать как на форуме, так и в специальной форме на странице, где описывается интересующая вас техника.