

JY680A 閃光燈

使用說明書



JYC Technology(HK)Co.,Ltd.
爵影科技(香港)有限公司
www.viltrox.com

在使用本產品時，請務必仔細閱讀本使用說明書。
請務必妥善保管好書本，以便日後能隨時查閱。
請在充分理解內容的基礎上，正確使用。

更多資訊請訪問：www.viltrox.com
規格如有變更，恕不另行通知。

警告

1. 如將鹼性液體從電池中溢出並進入眼睛，應立即用流動水沖洗眼部並就醫，如不迅速處理，則眼睛會受到嚴重傷害。
2. 如腐蝕性液體從電池中溢出並接觸皮膚和衣物，應立即用流動水沖洗，長時間的接觸會傷害皮膚。
3. 切勿試圖自行拆卸或修理閃光燈，否則可能引起觸電或閃光燈故障，從而造成傷害。
4. 如閃光燈發熱或損壞，不要接觸任何裸露的內部金屬零件，否則可能引起觸電或人身傷害。
5. 如發現發熱、冒煙或燒灼氣味，應立即停止操作並取出電池，以防止閃光燈着火或燒灼。
6. 取出電池之前應使閃光燈充分冷卻。
7. 閃光燈不得浸水，或使其接觸到雨水或水汽，除非有適當的保護以隔絕液體及水汽。如燈浸水，則可能導致閃光燈着火或發生觸電，在此情況下，應立即切斷電源或取出電池。（注：維修沒有水汽或水汽的電子單元在經過上一致不合算）
8. 有可燃性或爆炸性氣體存在時不要使用本閃光燈，如有可燃性氣體（包括丙烷、汽油及粉塵）的場所使用閃光燈，則可能引起爆炸或火災。
9. 不要對正在駕駛汽車的可機直接使用閃光燈，否則可能引起交通事故。
10. 不要在距離對別人的眼睛直接使用閃光燈，否則可能損傷其視網膜。切勿在1米以內對嬰兒使用閃光燈。
11. 不要讓兒童接觸小型零件，以防止其被吞嚥。如無意中吞下附件，應立即就醫。

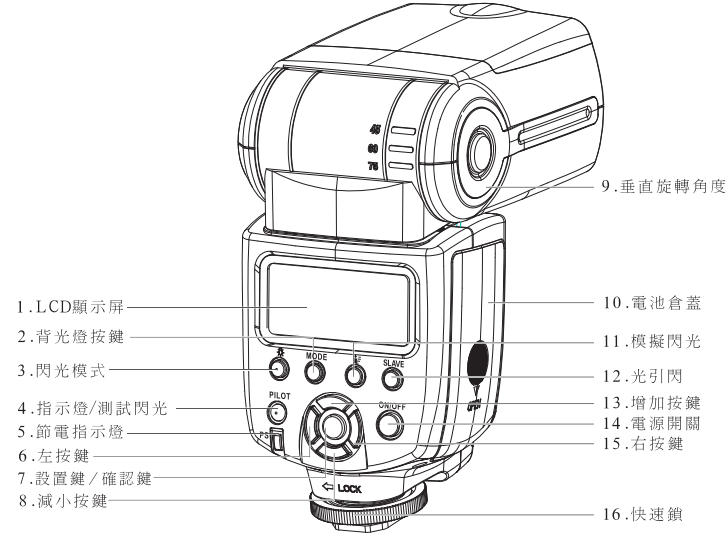
12. 使用說明書指定的電池，其他非指定的電池可能會漏腐蝕性液體、爆炸或着火。
13. 不要混用不同類型、品牌或新舊程度的電池，否則電池可能會漏腐蝕性液體、爆炸或着火。如在一件商品中使用超過一節的電池，請始終使用同時購買的相同電池。
14. 不得用電池充電器對非電池（如磁及雜電池）進行充電，否則可能漏腐蝕性液體、爆炸或着火。
15. 當使用標準尺寸(AA, AAA, C, D)或其他普通可充電電池，務必使用由電池製造商指定的電池充電器，並仔細閱讀使用說明。充電時，電池的極性切勿弄反，並應在電池充分冷卻後再進行充電，否則電池可能漏腐蝕性液體、爆炸或着火。（注：以上注意事項同樣適用於相機製造商所提供的充電電池）

注意

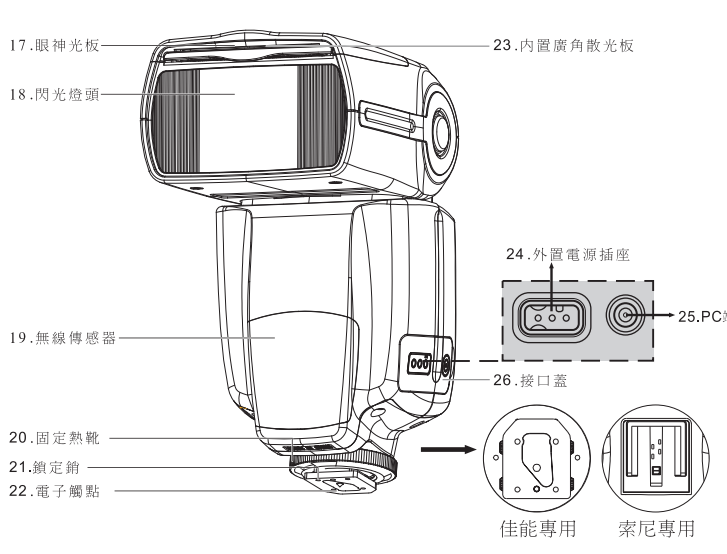
1. 不要用潮濕的手接觸閃光燈，否則可能觸電。
2. 使閃光燈遠離兒童，防止其誤按閃光燈，從而造成觸電或引起傷害。
3. 不要使燈受到強烈振動，否則可能引起故障，導致元件爆炸或着火。
4. 嚴禁使用稀釋劑或茶等活性試劑來清洗單元，並且切勿將燈儲藏在含有樟腦及茶等化學品的場所。否則會損壞其塑料包裝，引起着火或觸電。
5. 在其標籤處閃光燈之前應取出電池，以防止燈着火或漏腐蝕性液體。
6. 切勿超越容許的連續拍攝數目（詳見下表）。

閃光輸出	1/1	1/2	1/4	1/8	1/16	1/32	1/64	1/128
閃光次數	10	20	40					

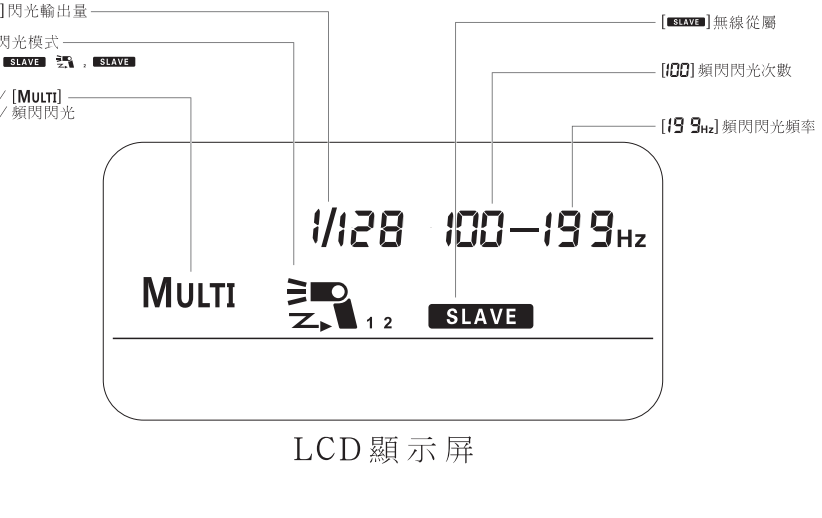
當連續拍攝達到下表所示的最高數目時，您應該至少讓閃光燈冷卻10分鐘。



1. LCD顯示屏
2. 滑光燈旋鈕
3. 閃光模式
4. 指示燈/測試閃光
5. 距離指示燈
6. 左旋鈕
7. 設置鍵/確認鍵
8. 減小/接線
9. 垂直旋轉角度
10. 電池倉蓋
11. 模擬閃光
12. 光引閃
13. 增加旋鈕
14. 電源開關
15. 右旋鈕
16. 快接鎖



17. 眼神光板
18. 閃光燈頭
19. 無線感應器
20. 鎖定旋鈕
21. 鎖定旋鈕
22. 電子觸點
23. 內置廣角散光板
24. 外置電源插座
25. PC端子
26. 接口蓋



LCD顯示屏

使用前準備

1. 打開電池倉蓋
 - 按箭頭所示方向滑動電池倉蓋自動向上揭開。
2. 安裝電池
 - 按電池倉中的指示確保電池正負極朝對向正確裝入。
3. 關閉電池倉蓋
 - 向下按電池倉蓋，並將其滑回原位。

請使用同廠牌的四枚一組新電池。更換電池時，請四枚一起更換。

安裝閃光燈

1. 按箭頭所示方向轉動固定旋鈕到最高點。
2. 將閃光燈熱靴完全推入相機熱靴。
3. 按箭頭所示方向轉動固定旋鈕擰緊。
4. 取下閃光燈時，請鬆開固定旋鈕，然後從相機熱靴中推出。

打開電源開關

- 長按電源開關SS開啓閃光燈
 - 閃光燈開始充電。
- 檢查閃光燈是否準備就緒
 - 當PILOT指示發紅光時，閃光燈準備就緒。
 - 按下指示燈可進行測試閃光。

模式選擇

- 按下 <MODE> 按鈕，顯示 <M> <MULTI> 模式；
- 按下 <SLAVE> 按鈕，顯示 <S1> <S2> 模式；
- 按下 <P> 按鈕，開啓關閉LCD背光燈；
- 按下 <F> 按鈕，進行模擬閃光；
- 長按 <SET> 按鈕，進行睡眠時間設置。

關於節電模式

為節省電池能量，長按 <SET> 按鈕，可設置閃光燈節電模式，無操作後進入節電模式。PS指示燈進行閃爍狀態，要喚醒閃光燈，請按相機快門按鈕，或按下閃光燈 <PILOT> 按鈕。

● 即便進入節電模式，閃光燈的設置也會保留在內存中。

設置閃光輸出量

- 按下 SET 按鈕，閃光輸出量字符閃爍，按 <Δ> 或 <▽> 按鈕，然後按 SET 按鈕確認，閃光輸出量便會如下作出改變：
- 按下 <▽> 按鈕：1/1 → 1/1(-0.3) → 1/1(-0.7) → 1/64(-0.3) → 1/64(-0.7) → 1/128
- 按下 <Δ> 按鈕：1/128 → 1/64(+0.3) → 1/64(+0.7) → 1/2 → 1/2(+0.3) → 1/2(+0.7) → 1/1

閃光燈覆蓋範圍

- 使用廣角散光板
- 若拉出廣角散光板，Zoom會自動顯示如圖，若恢復廣角鏡片顯示也恢復拉出廣角鏡片之前的狀態。
- 同時彈出眼神光板，請推回眼神光板。
 - 輕輕地拉出廣角散光板，用力過重可能會使廣角散光板脫離閃光燈。

頻閃閃光

- 使用重複閃光，可以發出一系列快速的閃光。它可以在一張照片上拍攝移動物體的多個圖像。可以設置閃光頻率（每秒的閃光次數，以Hz表示）、閃光次數和閃光輸出。
- 按 <MODE> 按鈕，顯示 <MULTI>，選擇要設置的項目。
 - 按 <SET> 按鈕，進入設置狀態。
 - 設置想要的數字
 - 按 <Δ> 或 <▽> 設定數字大小。
 - 按 <◀> 或 <▶> 按鈕，進入下一個要設置的項目字元閃爍，所有設置完成後，字符都會顯示出來。
 - 再次按 <SET> 按鈕，退出設置狀態。

計算快門速度

在重複閃光過程中，到閃光停止為止快門應保持開啟狀態，使用下面的公式計算快門速度，然後用相機進行設置。

閃光次數 × 閃光頻率 = 快門速度 例如：如果閃光次數10T，閃光頻率是5Hz，快門速度則至少為2秒。

頻閃閃光

- 為避免閃光燈過熱或閃光能力不足，請勿連續使用閃光10次以上。使用10次後，請讓閃光燈至少休息15分鐘。當你嘗試連續使用頻閃10次以上時，閃光可能會自動停止，液晶顯示屏閃爍以保護閃光燈頭，發生此情況時，請讓閃光燈至少休息15分鐘。
- 在拍攝以黑暗為背景的高反亮度主體時，頻閃最為有效，建議使用三腳架、遙控開關及外接電源，進行頻閃時，閃光輸出量不能設定為1/1或1/2。
- 最大頻閃閃光次數：
- | 閃光輸出 | - | 1 | 2 | 3 | 4 | 5 | 6-7 | 8-9 | 10 | 11 | 12-14 | 15-19 | 20-50 | 60-199 |
|-------|----|----|----|----|----|----|-----|-----|----|----|-------|-------|-------|--------|
| 1/4 | 2 | 7 | 6 | 5 | 4 | 4 | 3 | 3 | 2 | 2 | 2 | 2 | 2 | 2 |
| 1/8 | 4 | 14 | 14 | 12 | 10 | 8 | 6 | 5 | 4 | 4 | 4 | 4 | 4 | 4 |
| 1/16 | 8 | 19 | 19 | 19 | 19 | 19 | 19 | 19 | 10 | 8 | 8 | 8 | 8 | 8 |
| 1/32 | 12 | 19 | 19 | 19 | 19 | 19 | 19 | 19 | 19 | 19 | 19 | 19 | 18 | 16 |
| 1/64 | 19 | 19 | 19 | 19 | 19 | 19 | 19 | 19 | 19 | 19 | 19 | 19 | 19 | 19 |
| 1/128 | 19 | 19 | 19 | 19 | 19 | 19 | 19 | 19 | 19 | 19 | 19 | 19 | 19 | 19 |

LCD背光燈開關

- 短按 <P> 按鈕，開啟LCD背光燈，再按關閉背光燈。
- 睡眠時間設置
長按 <SET> 按鈕，進入睡眠時間設置，按 <Δ> 或 <▽> 設置睡眠時間(分鐘) 顯示【-】閃光燈將不會進入睡眠 短按 <SET> 按鈕，退出睡眠時間設置。

反射閃光

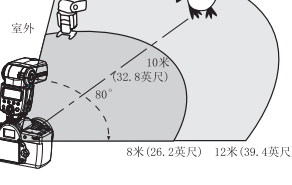
- 通過將閃光燈頭指向牆壁或天花板，閃光在照亮被攝體前被牆面反射。這可以減輕被攝體背後的陰影，獲得更自然的攝影效果，稱之為反射閃光。
- 90°
- 180°
- 如果牆壁或天花板太遠，反射閃光可能太弱並導致曝光不足。
 - 牆壁或天花板應該是平坦的、白色的以利于高效的反射。如果反射表面不是白色的，照片上將出現顏色。

創建眼神光

- 使用眼神光板，您可以在被攝體的眼睛中創建眼神光以使面部表情更加生動。
1. 將閃光燈頭向上旋轉90度。
 2. 拉出廣角散光板。
 - 同時彈出眼神光板。
 3. 推入廣角散光板。
 - 僅推入廣角散光板。
 - 按照反射閃光中相同的步驟進行。
- 請將閃光燈頭向前指然後向上旋轉90度，如果左右旋轉閃光燈頭不會產生眼神光。
 - 要獲得最好的眼神光效果，被攝體不能處於相機1.5米 / 4.9英尺以內。

光引閃模式

- JY680A閃光燈具備兩種光引功能，可以充分發揮多種創意離機閃光的特性。
- S1: 單次閃光觸發模式 S2: 數碼閃光觸發模式
- 按 <SLAVE> 按鈕，進入S1模式，此模式下閃光燈可被任何單次閃光觸發並實現同步閃光。
- 再次 <SLAVE> 按鈕，進入S2模式，此模式下可被任何帶有預閃的閃光觸發並實現同步閃光。
- 在S1與S2模式下，閃光燈各按鍵與在M模式下功能一致。



- 使用微型底座（提供三腳架轉接）支撐從側面。
- 使用反射功能旋轉閃光燈，使其無線傳感器朝主攝體。
- 在室內，無線信息也可能被牆壁反射，因此從側面的位置不必非常精確。
- 設置從側面後，務必在拍攝前調式無線操作。
- 請勿在主攝體和從側面之間放置任何障礙物，障礙物可能會造成無線信號的傳輸。

注：請使用隨燈附送的閃光燈座，不要將閃光燈安裝在金屬熱靴配件上使用，以免閃光燈上的觸點短路損壞閃光燈，在環境明亮或超出感應器的範圍時，有可能不會被觸發。

故障排除指南

- 如果遇到問題，請參閱此故障排除指南。
- 電池安裝方向錯誤。
 - 以正確的方向安裝電池。
 - 閃光燈的內置電池耗盡。
 - 如果閃光燈充電時間是30秒或更長，請更換電池。
 - 即便您使用外置電池，也要安裝閃光燈的內置電池。
 - 將閃光燈的固定座牢固的安裝在相機上。
 - 閃光燈和相機的電子觸點要接觸。
 - 請清潔觸點。
- 當電池電量過低時可能會引起下列異常
- PS節能指示燈快速閃動，表示電池電量已不能達到正常使用要求。
 - 請及時更換電池。

故障排除指南

- 閃光曝光不足或過度
- 照片中存在反光強烈的物體(玻璃窗戶等)。
 - 被攝體看起來顏色太深或太淺。
 - 設置閃光曝光補償，對於暗的被攝體，設置減少閃光曝光。
 - 而對於明亮的被攝體，設置增加閃光曝光。

規格

類型	機載閃光燈
兼容相機	標準兼容短相機
閃光指數	33(ISO 100,以米/英尺為單位)
閃光持續時間	約1/10500f(1/1輸出時)
回電時間	0.3-5s
無線引閃距離	室內: 12-15米 / 39.4-49.2英尺 室外: 8-10米 / 26.2-32.8英尺
接收角度	水平40° 垂直30°
外置電源	CP-E4
內置電源	4節AA型鹼性電池 *還可以使用AA型鎳氫(Ni-MH)或鋰電池
電池壽命	100-700次閃光(使用AA型鹼性電池)
尺寸	76 × 137 × 117毫米 / 3.0 × 5.4 × 4.6英寸
重量(約)	約320克(僅閃光燈,不包括電池)
電壓模式	約4分鐘進入節電模式

附屬配件及部件名稱

- 布袋 一只
- 閃光燈支架 一個
- 說明書 一本
- 保修卡 一份

JY680A

SPEEDLITE

User Manual



JYC Technology (HK) Co., Ltd.
www.viltrox.com

2014.05
PRINTED IN CHINA

Before using the product, please read this manual carefully. Keep this manual safety in case you need to check during your usage. Operate this product on base of your full understand of this manual.

Specifications subject to change without notice. For more information, please visit www.viltrox.com

Caution

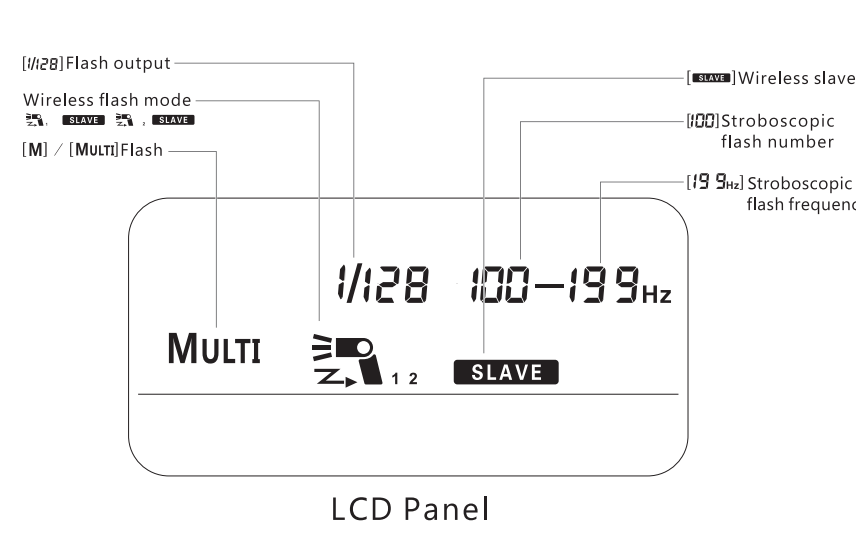
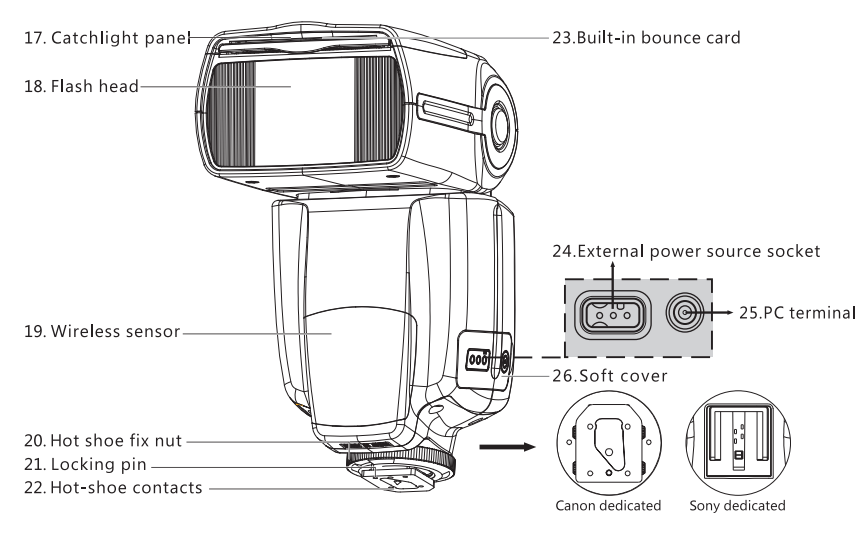
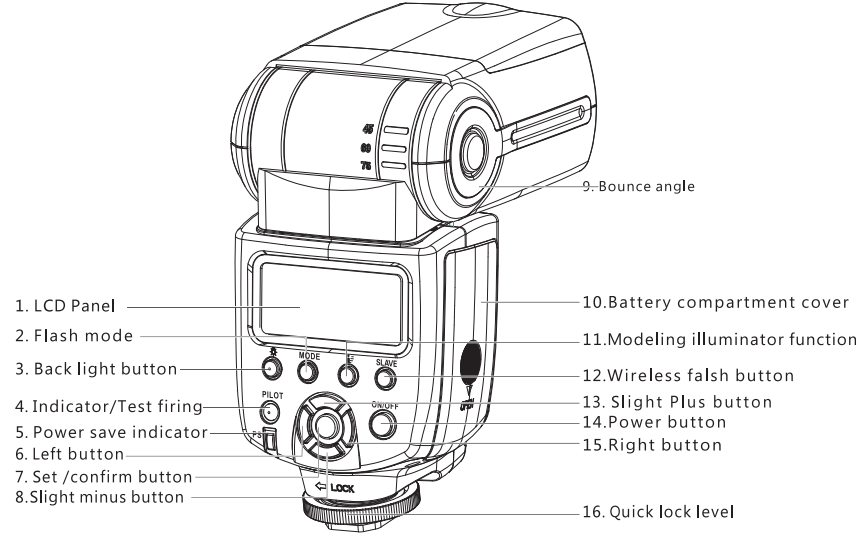
- If corrosive liquids seep from the batteries and get in your eyes, immediately wash your eyes with running water and consult with a doctor. Your eyes could be seriously damaged if they are not treated quickly.
- If corrosive liquids seep from the batteries and come in contact with your skin or clothes, wash immediately with running water. Prolonged contact could injure your skin.
- Never attempt to disassemble or repair the flash by yourself, as this could result in you receiving an electric shock and could also cause the flash to malfunction; such malfunction could lead to personal injury.
- If the flash is dropped and damaged, do not touch any exposed interior metal parts. Such parts, especially the speedlight's capacitor and associated parts, could be in a high-charge state and if touched could cause an electric shock. Disconnect the power or remove the batteries and be sure that you do not touch any of the product's electrical components.
- If you detect heat, smoke or notice a burning smell, immediately stop operation and remove the batteries to prevent the flash from catching on fire or melting. Allow the flash to cool down so that you can safely touch it and remove the batteries.

- The flash should never be submerged in liquid or exposed to rain, saltwater or moisture unless it is properly protected from the liquids and moisture. Underwater use requires a certified underwater housing. If water or moisture gets inside the flash, this could cause the flash to catch on fire or cause an electric shock. In such instances you should immediately remove the batteries from the flash. Note: electronic devices that are penetrated by water or moisture are often not economically repairable.
- Do not use the flash in the presence of flammable or explosive gas. If the flash is operated in areas where there is a flammable gas, including propane, gasoline and dust, it could cause an explosion or fire.
- Do not fire the flash directly at the driver of a moving car.
- Do not fire the flash directly into the eyes of someone that is at close range, as it could damage their eyes' retinas. Never fire the flash closer than 1 meter from infants.
- Do not fire the flash while the flash is touching a person or object. Such use can result in the person being burned, and/or their clothes igniting from the heat of the flash's firing.
- Keep small accessories out of the reach of children to avoid the possibility of the accessory being swallowed. If an accessory is accidentally swallowed, immediately consult with a doctor.

- Use only the batteries specified in this instruction manual. Batteries other than those specified could leak corrosive liquids, explode or catch on fire or otherwise not perform satisfactorily.
- Do not mix battery types, brands or old and new batteries, as the batteries could leak corrosive liquids, explode or catch on fire. When using more than one battery in a product, always use identical batteries that were purchased at the same time.
- Non-rechargeable batteries such as manganese, alkaline-manganese and lithium batteries should never be charged in a battery charger because they could leak corrosive liquids, explode or catch on fire.
- When using standard size (AA, AAA, C, D) or other common rechargeable batteries such as NiCd and Ni-MH battery types, or when recharging them, be sure to use only the battery charger specified by the battery maker and read the instructions thoroughly. Do not recharge these batteries with their terminals reversed in the charger or before the batteries have cooled off sufficiently because they could leak corrosive liquids, explode or catch on fire. The same caution applies to using the rechargeable batteries that may be supplied by the photo product's manufacturer.

- Do not touch the flash with wet hands, as this could cause an electric shock.
- Keep the flash away from children to prevent them from putting the flash in or near their mouth, or otherwise touching a dangerous part of the product, as such contact could cause an electric shock.
- Do not apply strong physical shocks to the flash, as this could cause a malfunction that could cause the flash to explode or catch on fire.
- Never use active agents that contain flammable substances such as paint thinner, benzene or paint remover to clean the flash, and never store the flash in locations containing chemicals such as camphor and naphthalene, as this could damage the plastic case, cause a fire or cause an electric shock.
- Remove any batteries from the flash before storing the flash for a long time to prevent the flash from catching on fire or leaking corrosive liquids.
- Don't exceed the allowed continuous shooting quantity (see below table format). You should rest the flash unit at least 10 minutes after the continuous quantity reaches the maximum.

Flash output	1/1	1/2	1/4	1/8	1/16	1/32	1/64	1/128
Flash Time	10	20	40					



- ### before you start
- #### Installing the batteries.
- Open the cover
 - Slide the battery compartment cover as shown by the arrow, then flip up the edge.
 - Insert the batteries
 - Made use the "+" and "-" battery contacts are properly oriented as shown in the compartment.
 - Close the cover
 - Push down the cover and slide it back.
- Please only use new 4×AA batteries with same brand, and change them all together at the same time.

- ### Attach the JY680A
- Ready to attach the speedlite. Loosen the locking ring by turning it in the direction of the arrow.
 - Attach the speedlite. Mount the speedlite into the camera's hot shoe all the way.
 - Detach the speedlite. Loosen the locking ring to the top, then remove the flash light from camera's hot shoe.
 - Secure the speedlite. Turn the locking ring in the direction.

- ### Turning on the power switch
-
- Set the power switch to <ON>
- The flash recycling starts.
- Check that the flash is ready
- The pilot lamp will first turn green (ready for quick flash), and then turn red (<flash ready>).
 - Pressing the pilot lamp will fire a test flash.

- ### Choose the mode
-
- Press <MODE> button, display <M> <MULTI> mode; Press <SLAVE> button, display <S1> <S2> mode; Press <+> button, switch on/off the LCD lamp; Press <+> button to testing sleep time; Press <SET> button to set the sleep time.
- About the power saving mode
- In order to save the battery energy, long press the <SET> button to set the flash power saving mode. No any other operation will be power saving mode. PS: If you want to awake the flash when the indicator stay at twinkle condition, please press the camera shutter button or Press the flash <PILOT> button.
- Even in power saving mode, the flash setting is retained in memory.

- ### Setting flash ratio output
-
- Press SET button
- Corresponding indicator ratio output.
- Press <SET> button, the character of flash output shine. Press <Δ> or <∇> button, then press <SET> to confirm. The flash output will change as follow:
- Press ∇ minus button: 1/1→1/1(-0.3)→1/1(-0.7).....1/64(-0.3)→1/64(-0.7)→1/128
- Press Δ plus button: 1/128→1/64(+0.3)→1/64(+0.7).....1/2(+0.3)→1/2(+0.7)→1/1

- ### Setting the flash coverage
- #### Using the wide panel
-
- Pull out the wide panel and put it on the flash head as the picture show.
- Pull out the wide panel gently, excessive force may detach the wide panel.

- ### Stroboscopic flash
- With stroboscopic flash, a rapid series of flashes is fired. It can be used to capture multiple images of a moving subject in a single photograph. You can set the firing frequency (number of flashes per sec. expressed as Hz), the number of flashes, and the flash output.
-
- Press the <MODE> button so that <MULTI> is displayed. Select the item to be set, press the <SET> button the state of setting.
 - Set the desired number. Press <Δ> or <∇> to set numbers. Press <+> or <-> button, will be set into the next project. The word will flash, after the completion of all installation, the character will be displayed. Press again <SET> button, exit the setting mode.
- #### Calculating the shutter speed
- During stroboscopic flash, the shutter release remains open until the firing stops. Use the formula below to calculate the shutter speed and set it with the camera.
- Number of flashes / Firing frequency = Shutter speed/For example, if the number of flashes is 10T and the firing frequency is 5 Hz, the shutter speed should be at least 2 sec.

- ### Stroboscopic flash
- To avoid overheating and deteriorating the flash head, do not use stroboscopic flash more than 10 times in succession. After 10 times, allow the flash to rest for at least 15 min. If you try to use the stroboscopic flash more than 10 times in succession, the firing might stop automatically to protect the flash head. If this happens, allow the flash to rest for at least 15 min.
- Stroboscopic flash is most effective with a highly reflective subject against a dark background. Using a tripod, a remote switch and external power source is recommended. A flash output of 1/1 or 1/2 cannot be set for stroboscopic flash.
- #### Maximum Stroboscopic Flashes:
- | Shutter Speed | 1 | 2 | 3 | 4 | 5 | 6-7 | 8-9 | 10 | 11 | 12-14 | 15-19 | 20-50 | 60-199 |
|---------------|----|----|----|----|----|-----|-----|----|----|-------|-------|-------|--------|
| 1/4 | 2 | 7 | 6 | 5 | 4 | 4 | 3 | 3 | 2 | 2 | 2 | 2 | 2 |
| 1/8 | 4 | 14 | 14 | 12 | 10 | 8 | 6 | 5 | 4 | 4 | 4 | 4 | 4 |
| 1/16 | 8 | 19 | 19 | 19 | 19 | 19 | 19 | 10 | 8 | 8 | 8 | 8 | 8 |
| 1/32 | 12 | 19 | 19 | 19 | 19 | 19 | 19 | 19 | 19 | 19 | 19 | 18 | 16 |
| 1/64 | 19 | 19 | 19 | 19 | 19 | 19 | 19 | 19 | 19 | 19 | 19 | 19 | 19 |
| 1/128 | 19 | 19 | 19 | 19 | 19 | 19 | 19 | 19 | 19 | 19 | 19 | 19 | 19 |

- ### LCD backlight ON/OFF
-
- Short press <+> button, turn on LCD backlight, then turn off backlight.
- Sleep time setting
- long press <SET> button, enter sleep time setting
- press <Δ> or <∇> to set sleep time (min)
- Show flash will not sleep
- Short press <set> button, exit sleep time setting.

- ### Bounce Flash
- By pointing the flash head toward wall or ceiling, the flash will bounce off the surface before illuminating the subject. This can soften shadows behind the subject for a more natural-looking shot. This is called bounce flash.
-
- If the wall or ceiling is far away, the bounced flash might be too weak and result in underexposure.
 - The wall or ceiling should be a plain, white color for high reflectance.
 - If the bounce surface is not white, a color cast may result in the picture.

- ### Creating a Catchlight
- With the catchlight panel, you can create a catchlight in the subject's eyes to add life to the facial expression.
-
- Point the flash head upward by 90°
 - Pull out the wide panel.
 - The catchlight panel will come out at the same time.
 - Push the wide panel back in.
 - Push in only the wide panel.
 - Follow the same procedure as for bounce flash.
- Point the flash head straight ahead and then upward by 90°. The catchlight will not work if you swing the flash head left or right.
 - For maximum catchlight effect, stay within 1.5 m/4.9 ft of the subject.

- ### Light communication mode
- JY680A speedlite has two light communication modes, which shows characteristic of a creative off-camera flash. S1: single flash trigger mode S2: Digital flash trigger mode.
- Press <SLAVE> to set into S1 mode, flash will be triggered by any single flash and achieved synchronization. When press <SLAVE> to set into S2 mode, flash will be triggered and synchronized flashing by any pre-flash light.
 - Under S1 and S2 modes, all buttons function are the same as <M> mode.
-
- Using flash stand (supports tripod) to support SLAVE unit.
 - Using the reflect function to rotate SLAVE, make its WIRELESS SENSOR toward to MASTER.
 - Using in door, wireless transfer maybe reflect by wall, so the flash unit place no need to be very exactly.
 - After setting flash unit, make sure test the wireless flash before shooting.
 - Make sure there is no obstacle between MASTER and SLAVE unit, which will effect wireless transfer.
- Caution
- Only using the supplied flash stand with speedlite, do not attach speedlite on metal hot shoe contact accessory during usage, which avoids short-circuit or even damage flash.
- 19 Speedlite maybe won't be trigger under very bright environment or exceed the sensor range.

- ### Troubleshooting Guide
- If there is a problem, refer to this Troubleshooting Guide.
- #### The Speedlite does not fire
- The batteries are not installed in the wrong orientation.
 - Install the batteries in the correct orientation.
 - The Speedlite's internal batteries are exhausted.
 - If the flash recycling time takes 30 sec. or longer, replace the battery source.
 - Install the Speedlite's internal batteries even when you use an external power source.
 - The Speedlite is not attached securely to the camera.
 - Attach the Speedlite's mounting foot securely to the camera.
 - The electrical contacts of the Speedlite and camera are dirty.
 - Clean the contacts.
- There will have some problem when using Battery
- PS energy save indicator light quickly shining. It show that the battery cannot reach the normal use need.
 - Please change the battery in time.

- ### Troubleshooting Guide
- The flash exposure is under exposed or overexposed
- There was a highly reflective object (glass window, etc.) in the picture.
 - The subject looks very dark or very bright.
 - Set flash exposure compensation. For a dark subject, set a decreased flash exposure. And for a bright subject, set an increased flash exposure.

- ### Specification
- | | |
|-----------------------------|---|
| Type | Airborne Speedlite |
| Compatible camera | Standard hot shoe interface camera |
| Guide No. | 33(ISO100 in meters/feet) |
| Flash duration | 1/10500 (in meters/feet) |
| Flash recycling | 0.3-5 sec. |
| Wireless transmission range | Indoors: 12-15m/39.4-49.2ft
Outdoors: 8-10m/26.2-32.8ft |
| Reception angle | 40° horizontal, 30° vertical |
| External power | CP-E4 |
| Internal power | 4 x size-AA alkaline batteries
* size-AA Ni-MH and lithium batteries also usable |
| Battery life | 100 ~ 700 flashes (with size-AA alkaline batteries) |
| Size | 76 x 137 x 117mm/ 3.0 x 5.4 x 4.6 ft |
| Weight | Approx. 320g (excluding batteries, only flash) |
| Power saving | Power saving after certain period of idle operation approx 4 min |

- ### Included Items
- Flash pouch x 1
 - Flash stand x 1
 - User manual x 1
 - Warranty card x 1